

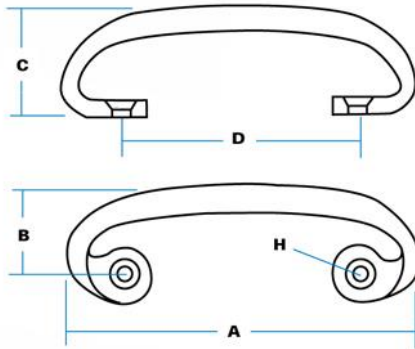
GG16 'C-Type' Grab Handle

Features

- Exceptionally strong with constant-section
- Hand-polished and chromium plated to very high standard
- Available in 3 finishes

Material

- Hand-polished, black / raw / chromium plated



Part No.	Finish	A	B	C	D	H
GG16-G28362	Chrome	155	45	48	105	7 mm, c/s 11 mm
GG16-G28363	Black					
GG16-G28364	Raw					

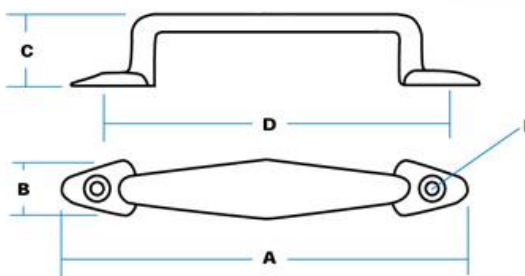
GG16 Low-Line Grab Handle

Features

- Shaped grip area
- Low, flat styling for minimal projection
- Hand polished and chromium plated to very high standard

Material

- Hand-polished and chromium plated



Part No.	A	B	C	D	H
GG16-G20574	168	23	30	140	7 mm, c/s 11 mm